

# TRIAX datasheet

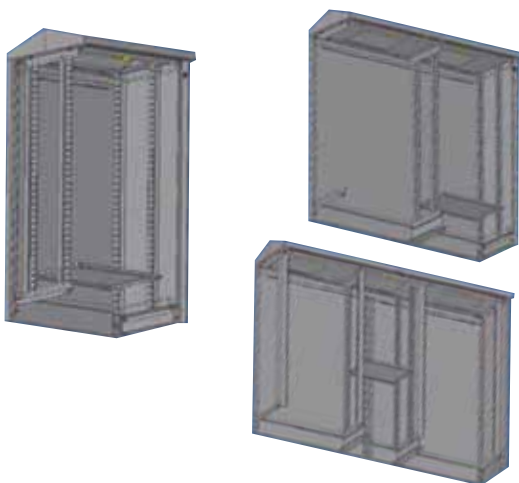
Communication-, Multipurpose- and Climate Control Cabinets | Cable Distribution Cabinets | Accessories |

## Multipurpose Cabinet - London (MCL)

The Triax London range is a multipurpose outdoor enclosure, designed for use in many applications, such as; communication-access/equipment points in FTTx, multimedia & telecoms network, electrical-control, metering and power supply, industrial-automation, control & monitoring equipment, security-access control, perimeter and security systems, water-monitoring, pumping & waste treatment plants. It can be used on free-standing or street-side.

### Adaptability

London's modular construction and broad range of sizes means there are products suitable for almost every need.



### Technical specifications

- Cabinet material high-quality, low-carbon galvanized steel, min. 20 µm zinc-coating per side
- Material dimension 1,5 mm (cabinet) and 2 mm (root)
- Surface treatment skin-passed and polyester coated min. 80 µm
- Pitched topcover
- Earthing point in cabinet

### Rigid construction

The specially reinforced construction of the cabinet and door provide a rigid solution for any application, with the tough, pitched roof section offering additional protection from hard conditions without deformation.



### Features:

- Option of combining racks and shelves (provides plenty of mounting space for all kinds of equipment)
- Up to 2 rack systems (ETSI or 19") and/or shelves can be placed in a cabinet
- Built-in passive ventilation, with the option to mount fans in the roof section to increase the cooling capacity

### Approvals:

- Enclosure according to EN 62208
- IP 44 according to EN 60529
- Degree of protection IK 10 according to EN 62262

## Doors

Cabinets have lift-off doors on all models and a concealed-hinge door option is available on cabinets with an outside width of over 1.000 mm - both types of doors can easily be removed for access during installation or maintenance works.

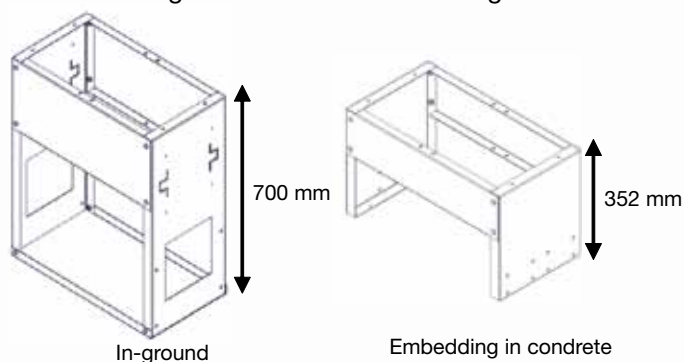
## Lock protection

Teardrop lock covers are fitted to all lift-off door cabinets, protecting our 3-point security system with a dual Ruko cylinder and EMKA security lock as standard. Concealed-hinge versions offer a swing-handle system as an option for larger cabinets over 1.000 mm width, and are supplied ready to accept customers' own choice of Euro cylinder lock insert.

## Base/plinth & root options

The London range comes ready-to-go with for fixing to a concrete or similar fixed base. To cater for alternative mounting requirements, two types of roots can be provided:

1. Long roots for direct burial in-ground
2. Short in-ground roots for embedding in concrete



Type	MCL 43	MCL 63	MCL 66	MCL 103	MCL 106	MCL 123	MCL 126	MCL 153	MCL 156
<b>Cabinet RAL 7037<sup>1)</sup></b>									
Teardrop	232710	232720	232730	232740	232750	232760	232770	232780	232790
Swinghandle	-	-	-	-	-	232762	232772	232782	232792
<b>Root RAL 7037<sup>1)</sup></b>									
Embedding in concrete	232716	232726	232736	232746	232756	232766	232776	232786	232796
In-ground	232718	232728	232738	232748	232758	232768	232778	232788	232798
<b>Cabinet Triax Green<sup>1)</sup></b>									
Teardrop	232711	232721	232731	232741	232751	232761	232771	232781	232791
Swinghandle	-	-	-	-	-	232763	232773	232783	232793
<b>Root Triax Green<sup>1)</sup></b>									
Embedding in concrete	232717	232727	232737	232747	232757	232767	232777	232787	232797
In-ground	232719	232729	232739	232749	232759	232769	232779	232789	232799
<b>Overall dimensions</b>									
Height (mm)	1095	1095	1145	1095	1145	1095	1145	1095	1145
Width (mm)	400	600	600	1000	1000	1200	1200	1500	1500
Depth (mm)	325	325	605	325	605	325	605	325	605
<b>Mounting volume</b>									
Height (mm)	835	835	835	835	835	835	835	835	835
Width (mm)	335	535	535	935	935	1135	1135	1435	1435
Depth (mm)	275	275	555	275	555	275	555	275	555
<b>Other specifications</b>									
Height in units <sup>2)</sup> (U)	-	20	20	20	20	2 x 20	2 x 20	2 x 20	2 x 20
Door type	Lift off	Lift off	Lift off	Lift off	Lift off	Hinged	Hinged	Hinged	Hinged
Weight (kg)	32,5	42	59	60	80,5	69,5	93	82,5	110
Pieces per pallet	6	4	2	2	1	2	1	2	1

<sup>1)</sup> Refers to Triax part number

<sup>2)</sup> For 19" rack systems

## TRIAX A/S

Bjørnkærvej 3 • DK - 8783 Hornsyld

Tel.: + 45 76 82 22 00 • Fax: + 45 76 82 23 80

Mail: triax@triax.dk • www.triax-cabinets.com

